

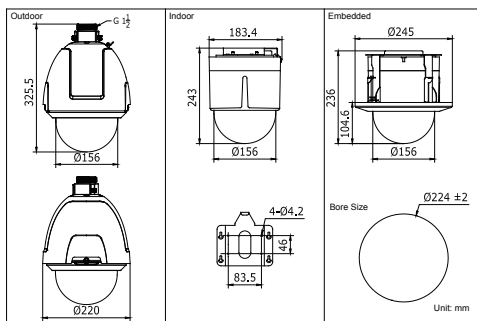
DS-2DF5286/5284 series 2MP Network PTZ Dome Camera



Key features

- 1/2.8" Progressive Scan CMOS
- 30X / 20X optical zoom, 16X digital zoom
- Smart Tracking, Defog
- True Day/Night, D WDR, 3D DNR
- 3D intelligent positioning
- Triple stream
- 24VAC / High-PoE power supply
- Outdoor / Indoor

Dimensions



Accessories



DS-1601ZJ DS-1601ZJ-corner DS-1601ZJ-pole DS-1634ZJ

Available models

- DS-2DF5286-A: 24VAC, outdoor
- DS-2DF5286-AEL: High-PoE & 24VAC, outdoor
- DS-2DF5286-A3: 24VAC, indoor
- DS-2DF5286-AE3: PoE+ & 24VAC, indoor

- DS-2DF5284-A: 24VAC, outdoor
- DS-2DF5284-AEL: High-PoE & 24VAC, outdoor
- DS-2DF5284-A3: 24VAC, indoor
- DS-2DF5284-AE3: PoE+ & 24VAC, indoor

| | DS-2DF5286-A/AEL (outdoor) DS-2DF5286-A3/AE3 (indoor) | DS-2DF5284-A/AEL (outdoor) DS-2DF5284-A3/AE3 (indoor) |
|------------------------------|--|--|
| Camera | | |
| Image sensor | 1/2.8" Progressive Scan CMOS | |
| Effective pixel | 2230K pixels | |
| Min. Illumination | Color : 0.4 lux (F1.6, 1/30 sec, 50 IRE, AGC on), B/W : 0.03 lux (F1.6, 1/30 sec, 50 IRE, AGC on) Color : 0.05 lux (F1.6, 1/1 sec, 50 IRE, AGC on), B/W : 0.005 lux (F1.6, 1/1 sec, 50 IRE, AGC on) | |
| White balance | Auto / Manual / ATW/Indoor/Outdoor/Daylight lamp/Sodium lamp | |
| AGC | Auto / Manual | |
| S / N ratio | ≥ 50dB | |
| Digital noise reduction | 3D DNR | |
| Backlight compensation | HLC / BLC | |
| Wide dynamic range | Digital WDR | |
| Shutter speed | 50Hz: 1-1/30,000s; 60Hz: 1-1/30,000s | |
| Day & Night | IR Cut Filter | |
| Digital zoom | 16X | |
| Privacy masking | 24 privacy masks programmable, optional multiple colors and mosaics | |
| Focus mode | Auto / Semiautomatic / Manual | |
| Enhancement | Defog | |
| Lens | | |
| Focal length | 4.3 ~ 129mm, 30X optical zoom | 4.7 ~ 94mm, 20X optical zoom |
| Zoom speed | Approx.3s (Optical Wide-Tele) | Approx. 2.7s (Optical Wide-Tele) |
| Angle of view | 65.5 ~ 2.11 degree (Wide-Tele) | 58.3 ~ 3.2 degree (Wide-Tele) |
| Min. Working distance | 10 ~ 1500mm(Wide-Tele) | |
| Aperture range | F1.6 ~ F5.0 | F1.6 ~ F3.5 |
| Pan and Tilt | | |
| Smart tracking | Support | |
| Pan / Tilt range | Pan: 360° endless; Tilt: -5° ~ 90°(Auto Flip) | |
| Pan / Tilt speed | Pan Manual Speed: 0.1° ~ 300°/s, Pan Preset Speed: 540°/s Tilt Manual Speed: 0.1° ~ 240°/s, Tilt Preset Speed: 400°/s | |
| Proportional zoom | Rotation speed can be adjusted automatically according to zoom multiples | |
| Number of preset | 256 | |
| Patrol | 8 patrols, up to 32 presets per patrol | |
| Pattern | 4 patterns, with the recording time not less than 10 minutes per pattern | |
| Power-off memory | Support | |
| Park action | Preset / Patrol / Pattern / Pan scan / Tilt scan / Random scan / Frame scan / Panorama scan | |
| PTZ position display | Support | |
| Preset freezing | Support | |
| Scheduled task | Preset / Patrol / Pattern / Pan scan / Tilt scan / Random scan / Frame scan / Panorama scan/Dome reboot/Self-test action/Alarm output | |
| Alarm | | |
| Alarm input | 7 inputs | |
| Alarm output | 2 relay outputs, alarm response actions configurable | |
| Alarm trigger | Motion detection, Audio Exception Detection, Dynamic analysis, Tampering alarm, Network disconnect, IP address conflict, Storage exception | |
| Alarm action | Preset, Patrol, Pattern, SD/SDHC card recording, Relay output, Notification on Client | |
| Local Video and Audio | | |
| Video output | 1.0V[p-p] / 75Ω, NTSC (or PAL) composite, BNC | |
| Audio input | 1 Mic in/Line in interface. Line input: 2-2.4V[p-p]; output impedance: 1KΩ, ±10% | |
| Audio output | 1 Audio output interface. Line level, impedance: 600Ω | |
| Network | | |
| Ethernet | 10Base-T / 100Base-TX, RJ45 connector | |
| Max. image resolution | 1920×1080 | |
| Frame rate | 50Hz: 25 fps (1920×1080), 25 fps (1280×960), 25 fps (1280×720) 60Hz: 30 fps (1920×1080), 30 fps (1280×960), 30 fps (1280×720) | |
| Image compression | H.264 / MJPEG / MPEG4, H.264 encoding with Baseline / Main / High profile | |
| SVC | Support | |
| ROI encoding | Support | |
| Audio compression | G.711u / G.711a / G.726 / MP2L2 | |
| Protocols | IPv4/IPv6, HTTP, HTTPS, 802.1x, Qos, FTP, SMTP, UPnP, SNMP, DNS, DDNS, NTP, RTSP, RTP, TCP, UDP, IGMP, ICMP, DHCP, PPPoE | |
| Simultaneous live view | Up to 10 | |
| Streams | Triple streams | |
| SD memory card | Built-in micro SD/SDHC Slot, up to 32GB, support manual / alarm / edge recording | |
| User/Host level | Up to 32 users, 3 Levels: Administrator, Operator and User | |
| Security measures | User authentication (ID and PW), Host authentication (MAC address), IP address filtering | |
| Integration | | |
| Application programming | Open-ended API, support Onvif, PSIA and CGI | |
| Web browser | IE 7+, Chrome 18+, Firefox 5.0+, Safari 5.02+, support multi-language | |
| General | | |
| RS-485 Protocols | HIKVISION, Pelco-P, Pelco-D, self-adaptive | |
| Power | -A: 24VAC, max. 40W -AEL: 24VAC, max. 60W / High-PoE, max. 40W -A3/AE3: 24VAC / PoE+, max. 25W | |
| Working Temperature | -A: -30°C ~ 65°C (-22°F ~ 149°F) / High-PoE: -30°C ~ 65°C (-22°F ~ 149°F) -A3/AE3: -10°C ~ 50°C (14°F ~ 122°F) | |
| Humidity | 90% or less | |
| Protection Level | IP66, TVS 4,000V lightning protection, surge protection and voltage transient protection IK 10 (optional) | |
| Dimensions | Φ220×325.5mm (Φ8.66"×12.81") (Outdoor) Φ183.4×243mm (Φ7.22"×9.57") (Ceiling) Φ245×236mm (Φ9.65"×9.29") (In-ceiling) | |
| Weight | Approx. 5Kg (11.02lbs) | |
| Mount Option | Long-arm wall mount: DS-1601ZJ; Corner mount: DS-1601ZJ-corner; (outdoor models) Pole Mount: DS-1601ZJ-pole; Power box mount: DS-1634ZJ | |

NOTE: Indoor models support ceiling and in-ceiling mount.