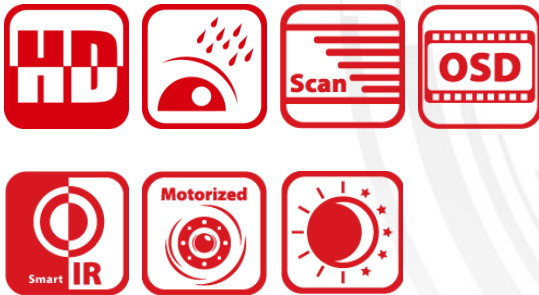


## DS-2CE16H1T-(A)IT3Z 5 MP HD Motorized VF EXIR Bullet Camera



### Key Features

- 5 megapixel high-performance CMOS
- HD analog output, up to 5 MP resolution
- 2.8 to 12 mm motorized vari-focal lens
- True Day/Night
- OSD menu, DNR, Smart IR
- EXIR technology, up to 40 m IR distance
- IP67
- Up the Coax (HIKVISION-C)



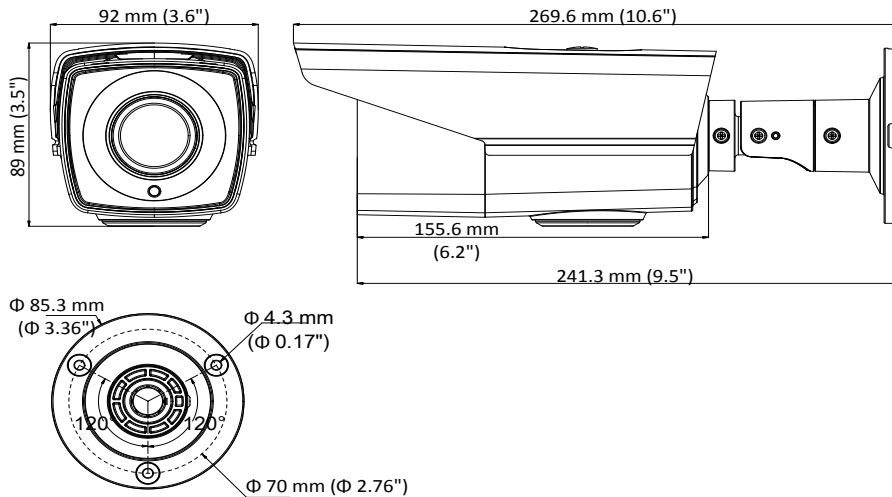
## Specifications

<b>Camera</b>	
Image Sensor	5 MP CMOS image sensor
Effective Pixels	2592 (H) × 1944 (V)
Min. illumination	Color: 0.01 Lux @ (F1.2, AGC ON), 0 Lux with IR
Shutter Time	PAL: 1/25 s to 1/50,000 s NTSC: 1/30 s to 1/50,000 s
Lens	Motorized VF lens; 2.8 to 12 mm
Horizontal Field of View	27.7° to 86.8° (2.8 to 12 mm)
Lens Mount	φ14
Day & Night	ICR
Angle Adjustment	Pan: 0° to 360°; Tilt: 0° to 90°; Rotate: 0° to 360°
Synchronization	Internal synchronization
Video Frame Rate	2592 × 1944 @ 20fps
HD Video Output	1 HD analog output
<b>Menu</b>	
AGC	Support
D/N Mode	Auto/Color/BW (Black and White)
White Balance	ATW/MWB
BLC	Support
Language	English, Chinese
Functions	Brightness, Sharpness, Digital noise reduction, Mirror, Bad pixel correction, Smart IR
<b>General</b>	
Operating Conditions	-40 °C to 60 °C (-40 °F to 140 °F), humidity: 90% or less (non-condensation)
Power Supply	12 VDC ± 20% -A: 12 VDC ± 20% 24 VAC ± 20%
Power Consumption	Max. 6 W -A: Max. 9 W
Protection Level	IP67
IR Range	Up to 40 m
Communication	Up the coax, Protocol: HIKVISION-C (TVI output)
Dimensions	92 mm × 84.8 mm × 269.6 mm (3.62" × 3.34" × 3.34")
Weight	Approx. 900 g (1.98 lb.)

## Order Models

DS-2CE16H1T-IT3Z, DS-2CE16H1T-AIT3Z

## Dimensions



## Accessories



DS-1275ZJ

Vertical Pole Mounting Bracket



DS-1280ZJ-S

Junction Box



DS-1H18

Video Balun

Distributed by

### ООО Компания "Строимир"

г. Киев, ул. Борщаговская 154А, оф. 435  
 +38 (044) 331-15-43 info@smartel.ua  
<https://smartel.ua>

### Headquarters

No.555 Qianmo Road, Binjiang District,  
 Hangzhou 310051, China  
 T +86-571-8807-5998  
[overseasbusiness@hikvision.com](mailto:overseasbusiness@hikvision.com)

**Hikvision USA**  
 T +1-909-895-0400  
[sales.usa@hikvision.com](mailto:sales.usa@hikvision.com)

**Hikvision Italy**  
 T +39-0438-6902  
[info.it@hikvision.com](mailto:info.it@hikvision.com)

**Hikvision Singapore**  
 T +65-6684-4718  
[sg@hikvision.com](mailto:sg@hikvision.com)

**Hikvision Europe**  
 T +31-23-5542770  
[saleseuro@hikvision.com](mailto:saleseuro@hikvision.com)

**Hikvision France**  
 T +33(0)1-85-330-444  
[info.fr@hikvision.com](mailto:info.fr@hikvision.com)

**Hikvision Oceania**  
 T +61-2-8599-4233  
[salesau@hikvision.com](mailto:salesau@hikvision.com)

**Hikvision Middle East**  
 T +971-4-8816086  
[salesme@hikvision.com](mailto:salesme@hikvision.com)

**Hikvision Spain**  
 T +34-91-737-16-55  
[info.es@hikvision.com](mailto:info.es@hikvision.com)

**Hikvision Hong Kong**  
 T +852-2151-1761

**Hikvision Russia**  
 T +7-495-669-67-99  
[saleru@hikvision.com](mailto:saleru@hikvision.com)

**Hikvision Poland**  
 T +48-22-460-01-50  
[poland@hikvision.com](mailto:poland@hikvision.com)

**Hikvision Canada**  
 T +1-909-895-0400  
[sales.usa@hikvision.com](mailto:sales.usa@hikvision.com)

**Hikvision India**  
 T +91-22-28469900  
[sales@pramahikvision.com](mailto:sales@pramahikvision.com)

**Hikvision UK**  
 T +44-1628-9021-4  
[support.uk@hikvision.com](mailto:support.uk@hikvision.com)