

5ch HDD Economical AI MDVR

Hero-ME30-04



4 ch economical AI HDD MDVR, with compact design, accurate DMS/ADAS and rich interfaces for commercial vehicle.

Key Features

- Up to 4ch 1080p video input
- Built-in 4G, GPS
- H.265/H.264 video format
- 3-axis G-sensor, support HA/HB detection
- Compatible with VSS and various FMS platforms

Specifications

Model	Hero-ME30-04 N2
General	
System	Embedded Linux
Language	English/Chinese (support customization)
4G	Built-in 4G module, Multiple frequency bands for different region
WIFI	Support external Wi-Fi dongle
GNSS	Built-in dual mode position mode: GPS+Beidou, GPS+GLONASS (optional)
G-Sensor	Built-in 3 axis
Video and audio	
Video input	4 x 1080p AHD
Video compression	H.265 (Main/Sub), H.264 (Main/Sub)
Video output	1 x CVBS
Audio input	4 ch
Audio Compression Format	G726
Video Recording	Manual, Schedule, Alarm
Recording time before alarm	0-60s configurable
Recording time after alarm	0-3600s configurable
Storage	
HDD	1 x 2.5 inch HDD/SSD slot, maximum support 4TB HDD/SSD
SD card	1 x SD card slot, max. 512GB
Network	
Protocol	H-protocol
Server	VSS, and third-party FMS platform
Accessories	Support integration with fuel sensor/ RFID reader /temperature and humidity sensor, etc.
Alarm	
Basic	I/O, Speed alarm, Harsh Acceleration, Harsh braking, etc.

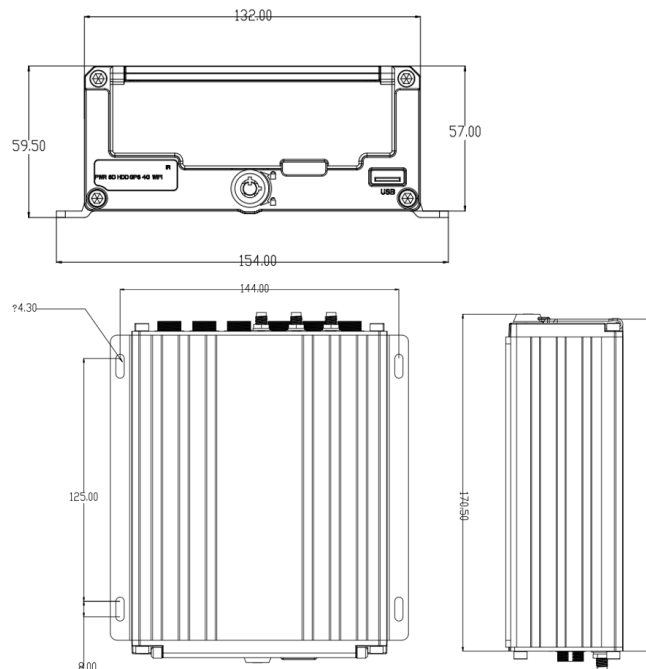
DMS
 DMS Fatigue detection (Eyeclose detection, Yawing detection);
 Distracted detection;
 Phone call detection;
 Smoke detection;
 Infrared-blocking Sunglasses;
 Face Recognition: Driver ID, No driver detected, etc.

ADAS
 Lane Departure Warning;
 Forward Collision warning;
 Headway Monitoring Warning;
 Pedestrian Collision Warning

Interface	
Remote Controller	1 (Optional)
USB	1 x USB2.0 (Type A, front panel)
Digital sensor in	4 (5V DC to 24V DC)
Digital sensor out	2
RS232	1
Power output	1 x 12V
SIM Card slot	1 x Standard SIM slot
Others	
Working voltage	8-36V DC
Working temperature	-20°C — 70°C (without HDD heater)
Storage temperature	-40°C—80°C
Protection level	IP44
Dimensions	153*135*42 mm

Dimensions

Unit: mm



Appearance

