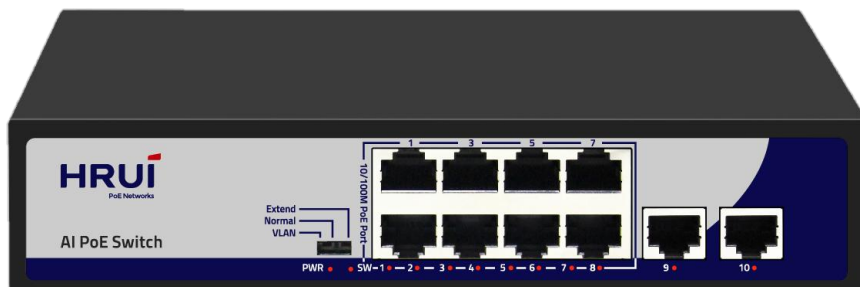


## 10-Ports 100M AI PoE Switch



[www.hrutech.com](http://www.hrutech.com)



10-Ports 100M AI PoE Switch , using high-quality high-speed network IC and the most stable POE chip, POE port support 802.3af and 802.3at standard both, this series of POE switches can be 10/100M Ethernet The network provides a seamless connection, and the POE power port can automatically detect and power the powered devices that comply with the IEEE802.3af or IEEE802.3at standards. The non-POE device intelligently detects no power and only transmits data.

### Main Features

- 8\*10/100M POE ports + 2\* 10/100M Ethernet Uplink ports
- Comply with IEEE 802.3/ IEEE 802.3u/IEEE 802.3x standards
- Ethernet port supports 10/100M adaptive
- Support port auto flip (Auto MDI/MDIX)
- Panel indicator monitoring status and help failure analysis
- Three-speed one-button intelligent dial switch with support for VLAN mode, Normal mode and Extend mode
- Support Watchdog Function
- Lightning Protection Surge: General Mode 4KV (level B) , ESD 8KV(Air),6KV(Contact) (level B) .

### Application Environment

#### **Metro Optical Broadband Network:**

Data network operators such as telecommunications, cable TV, and network system integration,etc.

#### **Broadband private network:**

Suitable for financial, government, oil, railway, electric power, public security, transportation, education and other industries

#### **Multimedia transmission:**

Integrated transmission of images, voice and data, suitable for remote teaching, conference TV, videophone and other applications

#### **Real-time monitoring:**

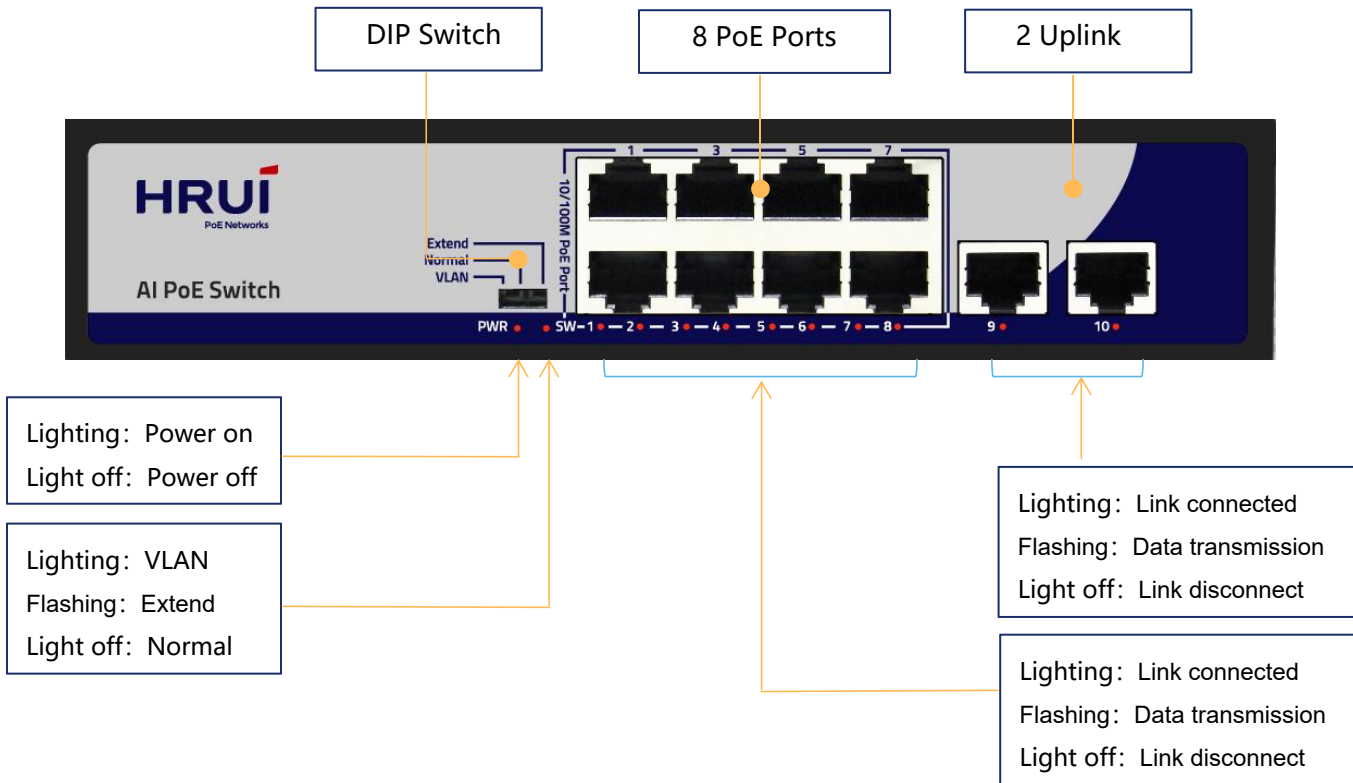
Simultaneous transmission of real-time control signals, images and data

Specifications	
<b>I/O Interface</b>	
Power	AC input (100-240 V)
Ethernet	8 Port 10/100M PoE 2 Port 10/100M Ethernet Uplink
<b>Performance</b>	
Switching Capacity	2Gbps
Throughput	1.488Mpps
Packet Buffer	448Kbit
MAC Address	2K
Transfer Mode	Store and forward
<b>Standard</b>	
Network Protocol	IEEE802.3 (10Base-T) IEEE802.3u (100Base-TX) IEEE802.3x (Flow control)
PoE Protocol	IEEE802.3af (15.4W) IEEE802.3at (30W) POE port output voltage: DC 44-57V POE power supply core: 1/2+; 3/6-
Industry Standard	EMS: EN61000-4-2 (ESD)、 IEN61000-4-5 (Surge)
Network Medium	10Base-T : Cat3,4,5 or above UTP(≤100m) 100Base-TX : Cat5 or above UTP(≤100m)
<b>Protection</b>	
Security Certificate	CE、FCC、RoHS

Environment	
Working Environment	Working Temperature: -10~50°C Storage Temperature: -40~70°C Working Humidity : 10%~90%, non-condensing Storage Temperature: 5%~95%, non-condensing
Mechanical	
Structure Size	Product Size: 200*118*44mm Package Size: 245*190*60mm Product Net-Weight: 0.62kg Product Gross-Weight: 0.93kg/1.07KG ( Brackets 1 pair )
Packing Info	MEAS: 520*320*400mm Packing Qty: 20 unit Packing weight: 19.6 KG/22.4KG ( Brackets 1 pair )
Power Voltage	Input Voltage: AC 100-240 V Output Voltage: 52V2.3A
Power	Product power: maximum 5W POE power: maximum 110W
Package List	Switch 1 pcs, Power cord 1 pcs, User manual 1 pcs, Certification 1 pc, Brackets 1 pair
Indication	
DIP Switch	<p><b>VLAN</b>: Port isolation mode. In this mode, the PoE ports (1-8) of the switch cannot communicate with each other, and can only communicate with the UP-link port. The port AI mode is turned on</p> <p><b>Normal</b> : Normal mode, all port can communicate with each other, the transmission distance is within 100 meters, the transmission rate is 10M / 100M adaptive; The port AI mode is closed</p> <p><b>Extend</b>: Link extension mode, 1-8 ports PoE power supply and data transmission distance can be extended to 250 meters, the transmission rate becomes 10M, and the port AI mode is turned on</p>
LED Indicators	PWR、SW、 1-10 Link&ACT

Ordering Info	
HR900-AF-82N	10-Ports 100M AI PoE Switch

## Dimension



## Application

